



Power Supply News-

New DC-UPS Available!



MPU-D205

DC **U**ninterruptible **P**ower **S**upply,
featuring :

- ***COMPACT SIZE (3x5")***
- ***EASY-TO-USE MONITORING
INTERFACE***
- ***CUSTOMIZABLE BATTERY
MODULE.***

SPECIFICATION

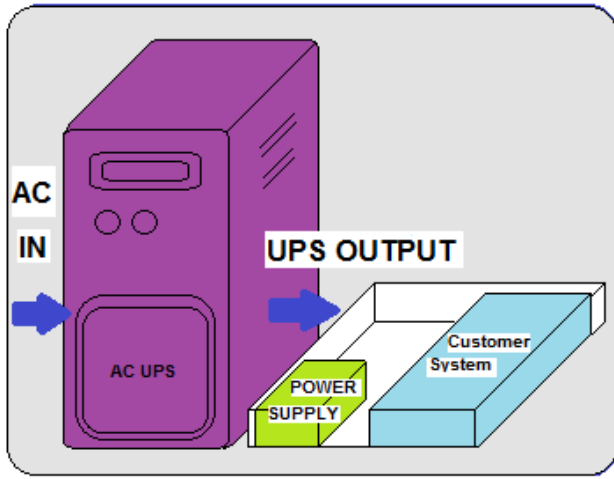
I/P :21.6-25.2VDC

O/P: 24V 8.33A /Peak 250W 10sec

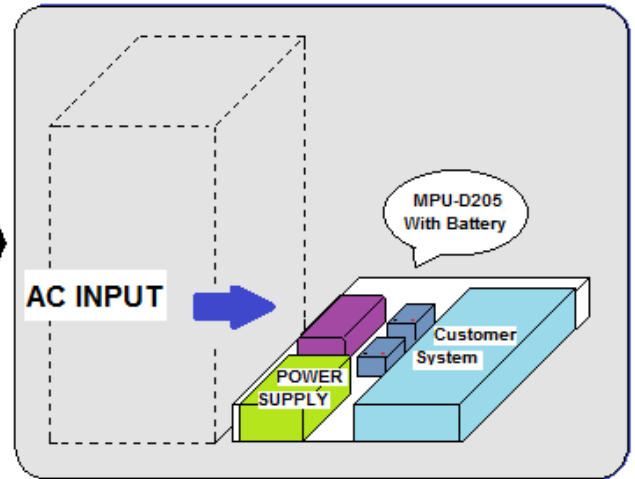
Charge Current Max 1.5A

3 x 5" COMPACT SIZE

Traditional AC-UPS requires huge space for installation. On the contrary, DC-UPS is much smaller, and our MPU-D205 is only 3x5", can even be installed inside systems. Also different type/capacity/size of batteries can be chosen to integrate in the customer's application.



Traditional



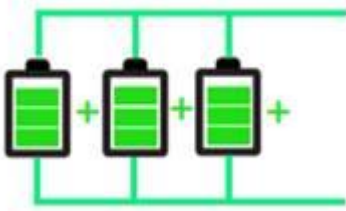
Magic Power's UPS

EASY-TO-USE MONITORING INTERFACE

With the specially designed GUI, users now can easily monitor UPS status.

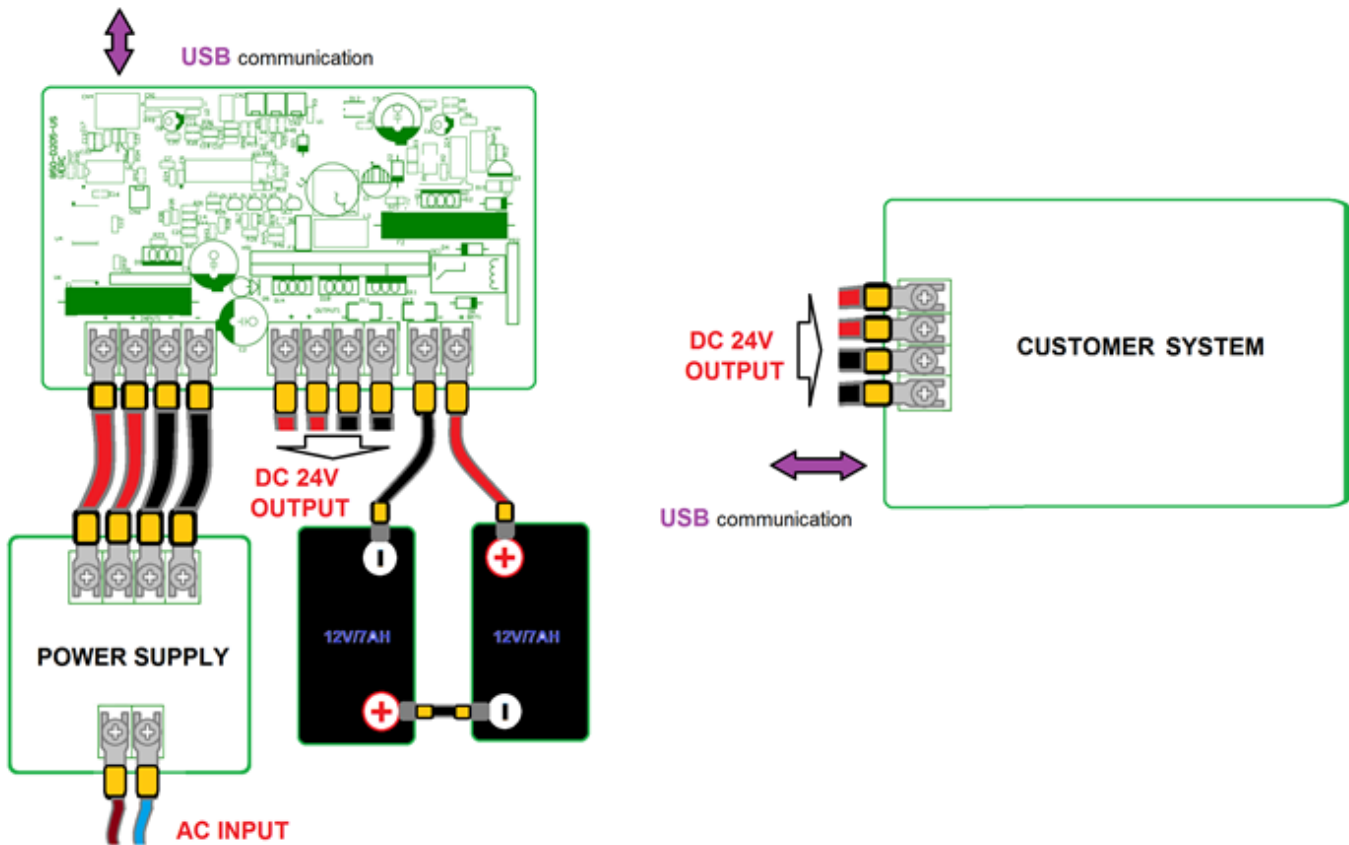
From regular charging to low battery warning, all live feedbacks are clearly shown. (Supporting USB communication with Windows system)

CUSTOMIZABLE BATTERY MODULE



Using lead-acid battery module, it provides constant charging and instant back-up function. Depending on system requirements,

battery module can be expanded for desired back-up time.



Application

It can be applied in numerous usages, such as monitor, transport, network application, fire protection system, elevators, industrial machinery construction, voting machine, renewable energy and etc.

[For more information or SPEC, click here to visit our website!](#)

More new projects and upgraded products coming soon.

For more info, please contact us via sales@mgpower.com

We are more than pleased to help you.

Magic Power, Make it Possible.